

Digital TV Demodulator for ISDB-T/S Double Tuner MN884434



■ Overview

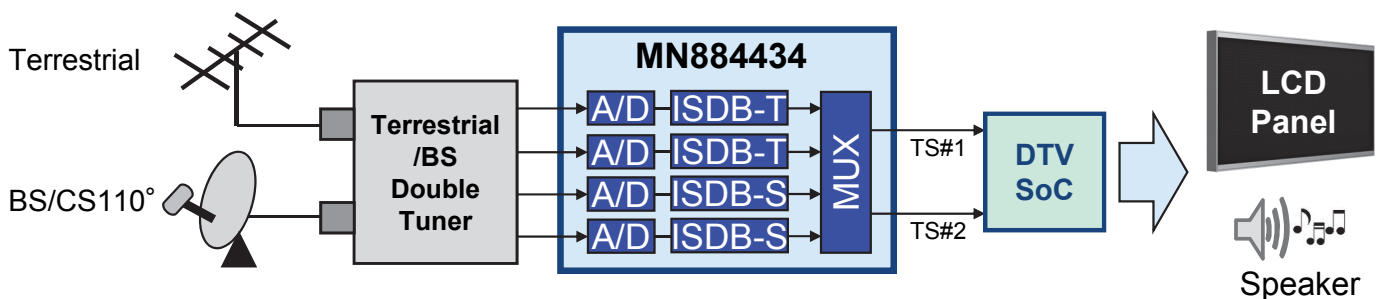
MN884434 is demodulator LSI for terrestrial and BS/CS broadcasts. It supports the broadcast specifications of Japan, South America and others, performing demodulation and error correction and outputting transport streams (TS).

■ Features

- 2-channel reception of selected from digital terrestrial (ISDB-T) × 2 and digital BS/CS (ISDB-S) × 2
- Built-in ADC (A/D converter) and de-interleave memory
- Built-in I²C bus-compliant CPU interface circuit and tuner control circuit

■ Applications

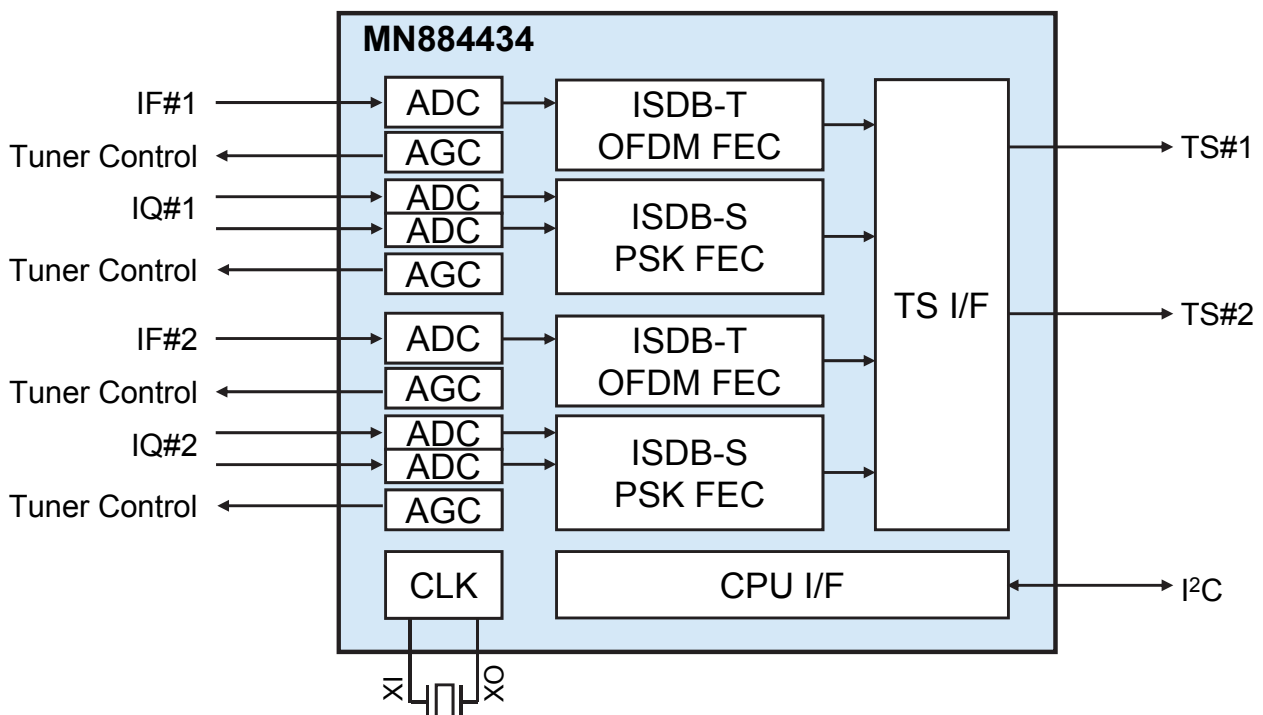
(Digital terrestrial and digital BS/ CS reception system for double tuner in Japan)



■ Specifications

Function		Specifications
Package		TQFP 128-pin Size: 14 mm x 14 mm Lead pitch: 0.4 mm
Supply Voltage	For external	3.3V
	For Internal	1.2V
Input		Terrestrial: Low-IF or High-IF BS/CS: IQ
Output		TS Serial / Parallel
CPU interface		I ² C bus
ISDB-T	Bandwidth	6, 7, 8 MHz
	FFT size	2K(Mode1), 4K(Mode2), 8K(Mode3)
	Guard interval length	1/32, 1/16, 1/8, 1/4
	Carrier modulation scheme	QPSK, 16QAM, 64QAM, DQPSK
	Convolutional-coding rate	1/2, 2/3, 3/4, 5/6, 7/8
ISDB-S	Symbol rate	28.86 Mbaud
	Modulation scheme	8PSK, QPSK, BPSK
	Convolutional-coding rate	8PSK: 2/3 QPSK: 1/2, 2/3, 3/4, 5/6, 7/8 BPSK: 1/2

■ Block Diagram



The Products and product specifications described in this document are subject to change without notice for modification and/or improvement. At the final stage of your design, purchasing, or use of the products, therefore, ask for the most up-to-date Product Standards in advance to make sure that the latest specifications satisfy your requirements. All company names, brand names and trademarks herein are property of their respective owners.

Copyright 2015 Socionext Inc.
AD04-00071-1E October 2015
Edited : Visual System Business Unit

Socionext Inc.

Nomura Shin-Yokohama Bldg.,
2-10-23 Shin-Yokohama,
Kohoku-ku, Yokohama, Kanagawa, 222-0033, Japan
Tel. +81-45-568-1015
<http://socionext.com>